



Welcome to Become Our Regional Agents or Distributors



Dalian Zhuhong Mechanical Co.,Ltd
Pipe Repair Experts



Catalog

● Company Profile	02
● Enterprise Honor	03
● Workshop	05
● Multi-Function Pipe Repair & Coupling	07
● Single -Section Multi-Function Pipe Coupling MF	09
● Gear-Ring Type Multi-Function Pipe Coupling GR	11
● Non-Metal Pipe Coupling GF	13
● Folding Type Pipe Repair Clamp RCH	15
● Double-Section Pipe Repair Coupling RCD	17
● Opening Type Pipe Repair Clamp RCE	21
● Band Repair Clamp	23
● Stainless Steel Band Repair Clamp CR	25
● Ductile Iron Band Repair Clamp ZR	27
● Multi-Function Tee Products	30
● Mini-Type Pipe Repair Clamp	33
● Flexible Multi-Function Pipe Coupling ZFJ	36
● Coupling CBL	37
● High Pressure Repair Clamp HRC	37
● Socket Pipe Repair Clamp CCR	38
● Lengthen Type Repair Clamp CRL	39
● Wide-Range Strip Repair Clamp CRK	39
● Compressed Air Pipeline Quick Connector JOS	40
● Compensation Repair Clamp BCR	41
● Application Projects	42
● Pipe O.D. Reference Table	46



Zhuhong Mechanical

Company and Products Info >>>

Dalian Zhuhong Mechanical CO.,LTD is established in 2008 and located in Jinzhou District of Dalian City-the key transportation hub and trading port in Liaoning Province of China. With excellent production equipment, advanced manufacturing technology, perfect testing and examination facilities, strict selection for materials procurement ,thoughtful and efficient pre-sale and after-sale service, we are engaged in providing customers with first-rate customer service and lightning fast product delivery.

In the following years ,we are concentrating on developing new ideas of our products in order to meet more and more volatile applications of our customers. Our long-term business partners not only spread all over China, but also in America, United Kingdom, Spain, Australia, Russia and other Mid-East countries and South-East Asia countries.

We have long-term partners of stable raw material supplies and we keep nearly all phases of manufacturing in-house, which will make the supply chain to be simplified and extremely efficient. Parts are made to our exact specifications and design changes can be made quickly.

Our customers enjoy our ability to quickly provide top-quality products independently designed to meet their unique requirements.

Our factory is located in 30 minutes' driving to the Dalian Railway Station and 1 hour' s driving to the Dalian Airport, which make it possible for us to deliver the goods whenever they are ready immediately.

Our products categories and sales scale is growing wider. But our commitment to serving our customers and our customer' s customers is as evident today as it was we established.

We live only to achieve our manual success.



Enterprise Honor



ISO9001 Quality Management System Certificate



CE of Pipe Coupling



CE of Pipe Repair Clamp



WRAS Product Quality Certificate



WRAS Product Quality Certificate of Rubber Gasket



ACS Academia Constiintei de Sine



American IAPMO Product Quality Certificate



GOST Approval for Russia market



Brunei Official Approval Certificate



Utility Model Patent of Wide Range Flexible Pipe Coupling



Utility Model Patent of CR Lengthen Type Repair Clamp



Design Patent of Fast Install Band Repair Clamp



Utility Model Patent of Mini-Type Fast Repair Clamp



SGS Inspection Report



Membership of Chinese Belt Press Seal Engineering Association



Food Grade Inspection of EPDM Rubber Material



Food Grade Inspection of Silicone Rubber Material

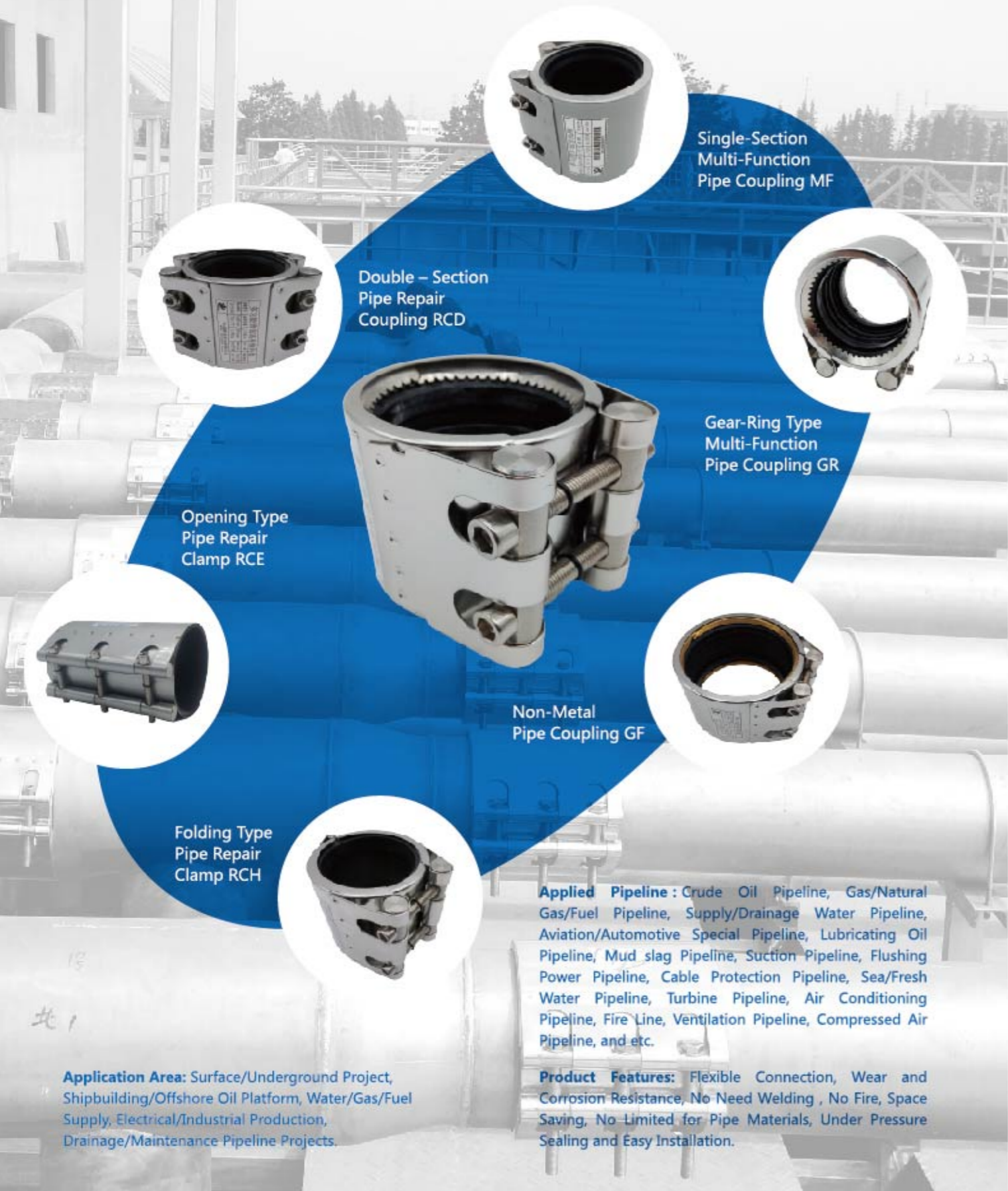


Potable Water Inspection Report for Rubber Materials

Workshop



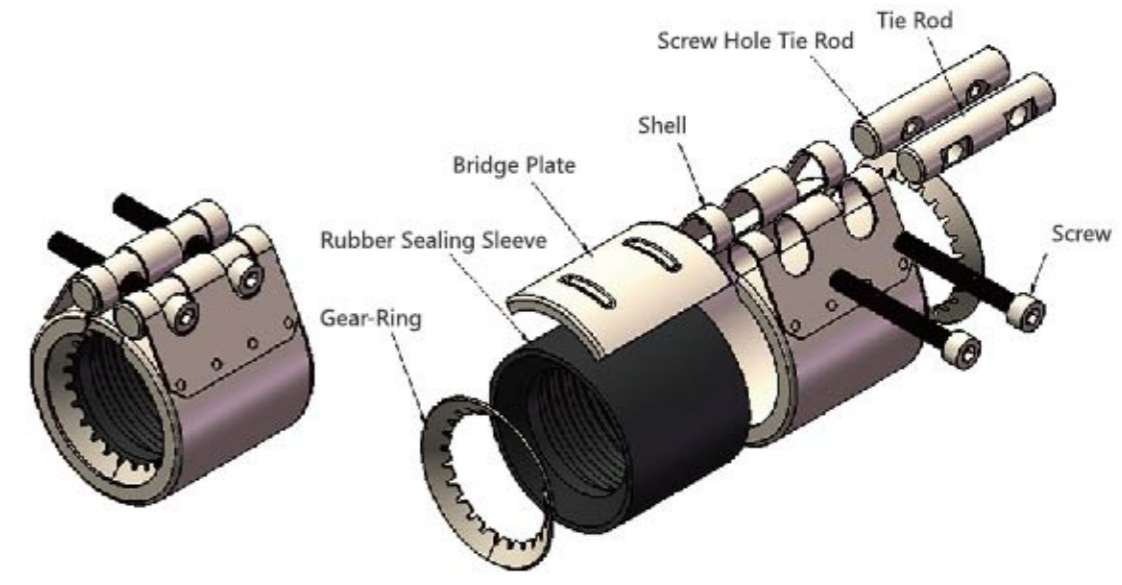
Multi-Function Pipe Repair & Coupling



Applied Pipeline : Crude Oil Pipeline, Gas/Natural Gas/Fuel Pipeline, Supply/Drainage Water Pipeline, Aviation/Automotive Special Pipeline, Lubricating Oil Pipeline, Mud slag Pipeline, Suction Pipeline, Flushing Power Pipeline, Cable Protection Pipeline, Sea/Fresh Water Pipeline, Turbine Pipeline, Air Conditioning Pipeline, Fire Line, Ventilation Pipeline, Compressed Air Pipeline, and etc.

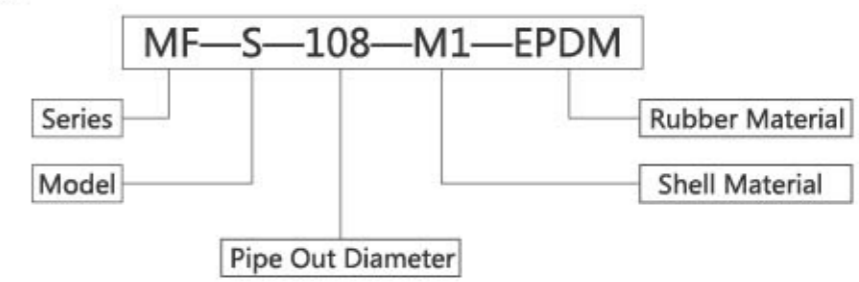
Product Features: Flexible Connection, Wear and Corrosion Resistance, No Need Welding , No Fire, Space Saving, No Limited for Pipe Materials, Under Pressure Sealing and Easy Installation.

Application Area: Surface/Underground Project, Shipbuilding/Offshore Oil Platform, Water/Gas/Fuel Supply, Electrical/Industrial Production, Drainage/Maintenance Pipeline Projects.



Component/Material	M1	M2	M3	M4
Shell	AISI 304	AISI 304	AISI 316L	AISI 32205
Bridge Plate	AISI 304	AISI 304	AISI 316L	AISI 32205
Screw Hole Tie Rod/ Tie Rod	AISI 1024 Hot Dip Galvanized Steel	AISI 304	AISI 316L	AISI 32205
Screw	AISI 1024 Hot Dip Galvanized Steel	AISI 304	AISI 316L	AISI 32205
Gear-Ring	AISI 301	AISI 301	AISI 301	—
EPDM(Ethylene Propylene Diene Monomer)Rubber Sealing Sleeve	Temperature : -20°C to +120°C Medium : Available for various kinds of water, drainage, air, solid and chemicals,			
NBR(Nitrile Rubber) Rubber Sealing Sleeve	Temperature : -20°C to +80°C Medium : Available for gas, oil, fuel and other hydrocarbon.			
MVQ(Silicon Rubber) Rubber Sealing Sleeve	Temperature Range: -75°C to +200°C			
VITON(Fluororubber) Rubber Sealing Sleeve	Temperature Range: -95°C to +350°C			

- Refer to: DIN86128-1,DIN86128-2 and CB/T4176-2013
- Enterprise Standard : Q/DZH 0001-2015
- Design and type selection :



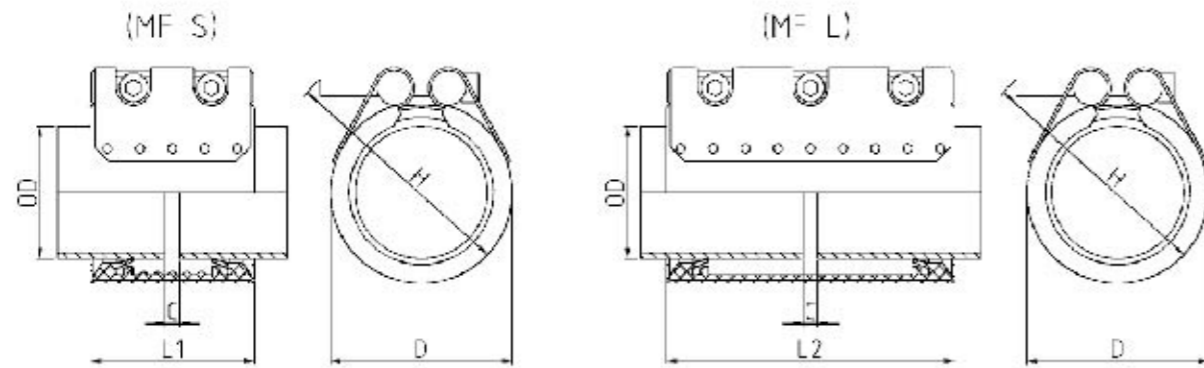
For other compatible sizes , Please contact us Zhu Hong directly for customization

Single-Section Multi-Function Pipe Coupling MF

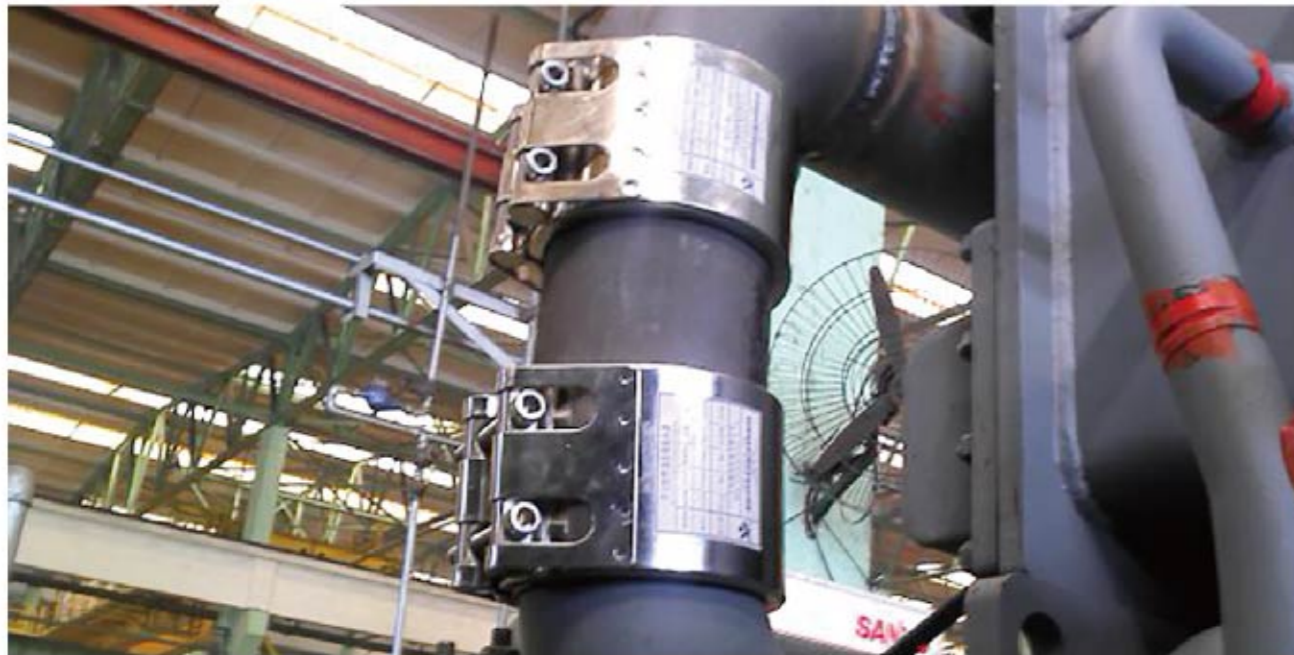


Product Features

Applied to connection of various kinds of metal pipes and composite materials of pipelines. Allowable angular deflection but does not provide restraint. It can provide safe, fast and steady connection and very good effect of anti-vibration and noise reduction, as well as function of distance compensation in pipe ends. Easy to be installed and disassembled and reusable.



Engineering Projects



Technical Parameters

Pipe O.D.	O.D Range	Ship	Industry	Dimensions					Screws	Screw Torque
OD (mm)	ODmin — ODmax (mm)	PN (bar)	WP (bar)	C (mm)	L1 (mm)	L2 (mm)	D (mm)	H (mm)	M	Nm
21.7	21 — 23	16	32	3	57	—	35	50	6	15
25	24.5 — 25.5	16	32	3	57	—	50	70	6	15
27.2	26 — 28	16	32	3	57	—	50	70	6	15
32	31.5 — 32.5	16	32	3	57	—	55	75	6	15
34	33 — 35	16	32	3	57	—	55	75	6	15
40	39.5 — 41.5	16	32	5	57	—	55	75	6	15
42	42 — 44	16	32	5	57	—	65	85	6	15
44.5	44 — 45.1	16	32	5	57	—	65	85	6	15
48.6	47 — 49	16	32	5	57	100	70	90	6	15
54	53.3 — 54.6	16	32	5	57	100	70	90	8	30
57	56.3 — 57.7	16	32	5	57	100	80	100	8	30
60.3	59 — 62	16	32	5	80	139	85	105	8	30
63	62.2 — 63.9	16	32	5	80	139	85	105	8	30
76.1	75 — 78	14	28	5	80	139	100	120	8	30
79.9	78.8 — 80.8	14	28	5	80	139	100	120	8	30
88.9	88 — 92	14	28	5	107	203	110	130	10	50
108	106 — 110	14	28	5	107	203	130	150	10	50
110	108.9 — 111.2	14	28	5	107	203	130	150	10	50
114.3	112 — 116	14	28	5	107	203	135	155	10	50
118	116.6 — 119.2	14	28	5	107	203	140	160	10	50
125	123.6 — 126.5	14	28	5	107	203	150	185	10	50
133	131.5 — 134.4	14	28	5	107	203	160	190	10	50
140	137 — 143	14	28	5	116	203	165	195	12	80
159	157 — 161	12	24	5	116	203	185	215	12	80
165.2	163.3 — 166.7	12	24	5	116	203	190	210	12	80
168	166 — 170	12	24	5	116	203	195	225	12	80
170	168.2 — 171.9	12	24	5	116	203	195	225	12	80
200	198.2 — 201.5	8	16	10	155	255	240	270	14	100
219	217 — 221	8	16	10	155	255	250	280	14	100
250	250 — 254	8	16	10	155	255	285	315	14	100
273	271 — 275	8	16	10	155	255	305	335	14	100
315	313 — 317	7	14	10	155	255	340	375	14	100
325	323 — 327	7	14	10	155	255	360	390	14	100
355.6	354 — 358	7	14	10	155	255	385	420	14	100
377	375 — 379	7	14	10	155	255	410	440	14	100

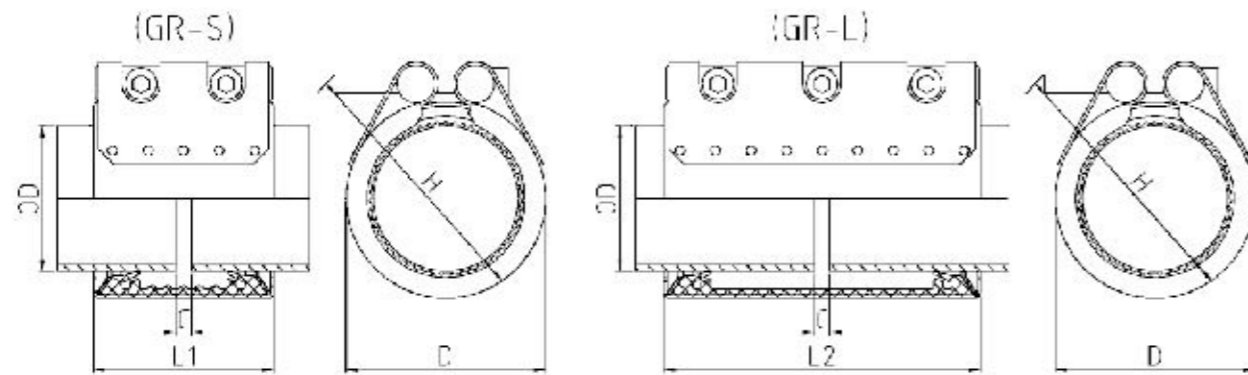
Some sizes and lengths not listed are available upon request.

Gear-Ring Type Multi-Function Pipe Coupling GR



Product Features

Applied to connection of various kinds of metal pipes and composite materials of pipelines. Allowable angular deflection, provide restraint and strong sealing. It can provide safe, fast and steady connection and very good effect of anti-vibration and noise reduction, as well as function of distance compensation in pipe ends. Easy to be installed and disassembled and reusable.



Engineering Projects

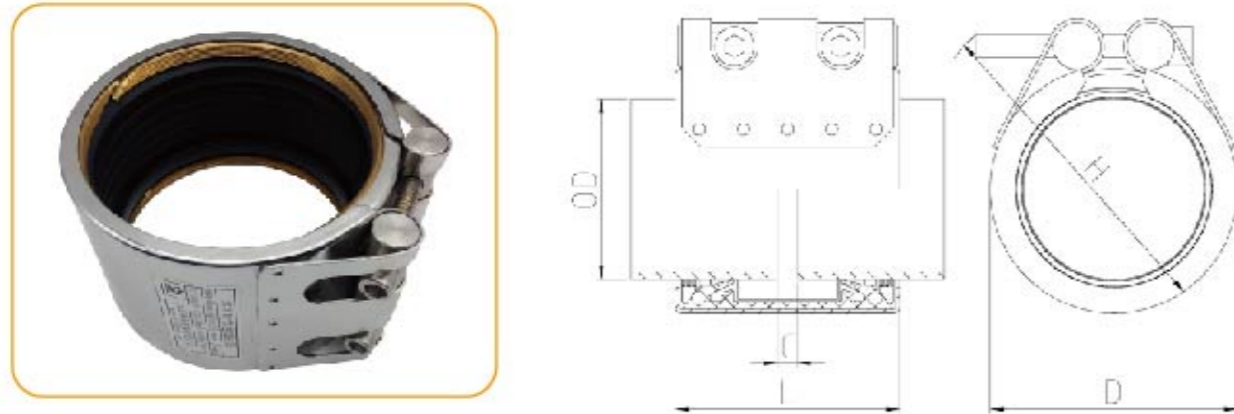


Technical Parameters

Pipe O.D.	O.D Range	Ship	Industry	Dimensions					Screws	Screw Torque
OD (mm)	ODmin — ODmax (mm)	PN (bar)	WP (bar)	C (mm)	L1 (mm)	L2 (mm)	D (mm)	H (mm)	M	Nm
21.7	21 — 23	16	32	3	57	—	35	50	6	15
25	24.5 — 25.5	16	32	3	57	—	50	70	6	15
27.2	26 — 28	16	32	3	57	—	50	70	6	15
32	31.5 — 32.5	16	32	3	57	—	55	75	6	15
34	33 — 35	16	32	3	57	—	55	75	6	15
40	39.5 — 41.5	16	32	5	57	—	55	75	6	15
42	42 — 44	16	32	5	57	—	65	85	6	15
44.5	44 — 45.1	16	32	5	57	—	65	85	6	15
48.6	47 — 49	16	32	5	57	100	70	90	6	15
54	53.3 — 54.6	16	32	5	57	100	70	90	8	30
57	56.3 — 57.7	16	32	5	57	100	80	100	8	30
60.3	59 — 62	16	32	5	80	139	85	105	8	30
63	62.2 — 63.9	16	32	5	80	139	85	105	8	30
76.1	75 — 78	14	28	5	80	139	100	120	8	30
79.9	78.8 — 80.8	14	28	5	80	139	100	120	8	30
88.9	88 — 92	14	28	5	107	203	110	130	10	50
108	106 — 110	14	28	5	107	203	130	150	10	50
110	108.9 — 111.2	14	28	5	107	203	130	150	10	50
114.3	112 — 116	14	28	5	107	203	135	155	10	50
118	116.6 — 119.2	14	28	5	107	203	140	160	10	50
125	123.6 — 126.5	14	28	5	107	203	150	185	10	50
133	131.5 — 134.4	14	28	5	107	203	160	190	10	50
140	137 — 143	14	28	5	116	203	165	195	12	80
159	157 — 161	12	24	5	116	203	185	215	12	80
165.2	163.3 — 166.7	12	24	5	116	203	190	210	12	80
168	166 — 170	12	24	5	116	203	195	225	12	80
170	168.2 — 171.9	12	24	5	116	203	195	225	12	80
200	198.2 — 201.5	8	16	10	155	255	240	270	14	100
219	217 — 221	8	16	10	155	255	250	280	14	100
250	250 — 254	8	16	10	155	255	285	315	14	100
273	271 — 275	8	16	10	155	255	305	335	14	100
315	313 — 317	7	14	10	155	255	340	375	14	100
325	323 — 327	7	14	10	155	255	360	390	14	100
355.6	354 — 358	7	14	10	155	255	385	420	14	100
377	375 — 379	7	14	10	155	255	410	440	14	100

Some sizes and lengths not listed are available upon request.

Non-Metal Pipe Coupling GF



Product Features

Applied to all kinds of rigid plastic pipes. Allowable angular deflection and restraint. Applied to connections of gas, water supply and industrial production pipelines. Workable both for thin or thick wall pipes.

Technical Parameters

Pipe O.D.	O.D Range	Industry	Dimensions				Screws	Screw Torque
			OD (mm)	ODmin — ODmax (mm)	WP (bar)	C (mm)		
63	62 — 64	20	10	75	85	105	8	25
75	74 — 76	20	25	105	100	120	8	30
90	89 — 91	20	25	105	110	130	8	40
110	108 — 111	20	25	120	130	150	10	40
125	123 — 126	20	25	120	145	165	10	50
140	138 — 142	20	30	120	160	180	10	50
160	158 — 162	20	30	120	180	200	10	60
180	178 — 182	16	35	152	210	240	12	60
200	198 — 203	16	35	152	230	260	12	60
225	222 — 227	16	35	152	255	285	12	60
250	247 — 253	16	35	152	280	310	12	60
280	277 — 283	16	35	152	310	345	12	60
315	311 — 317	16	35	152	345	375	12	60
355	351 — 357	16	35	152	385	415	12	60
400	396 — 402	12	35	152	430	460	12	60
450	447 — 453	12	35	152	480	510	12	60
500	497 — 503	12	35	152	530	560	12	70
560	557 — 563	10	35	152	590	620	12	70
630	627 — 633	10	35	152	660	690	16	70
800	796 — 804	10	35	152	830	860	16	80

Some sizes and lengths not listed are available upon request.

Installation Instruction of MF,GR and GF

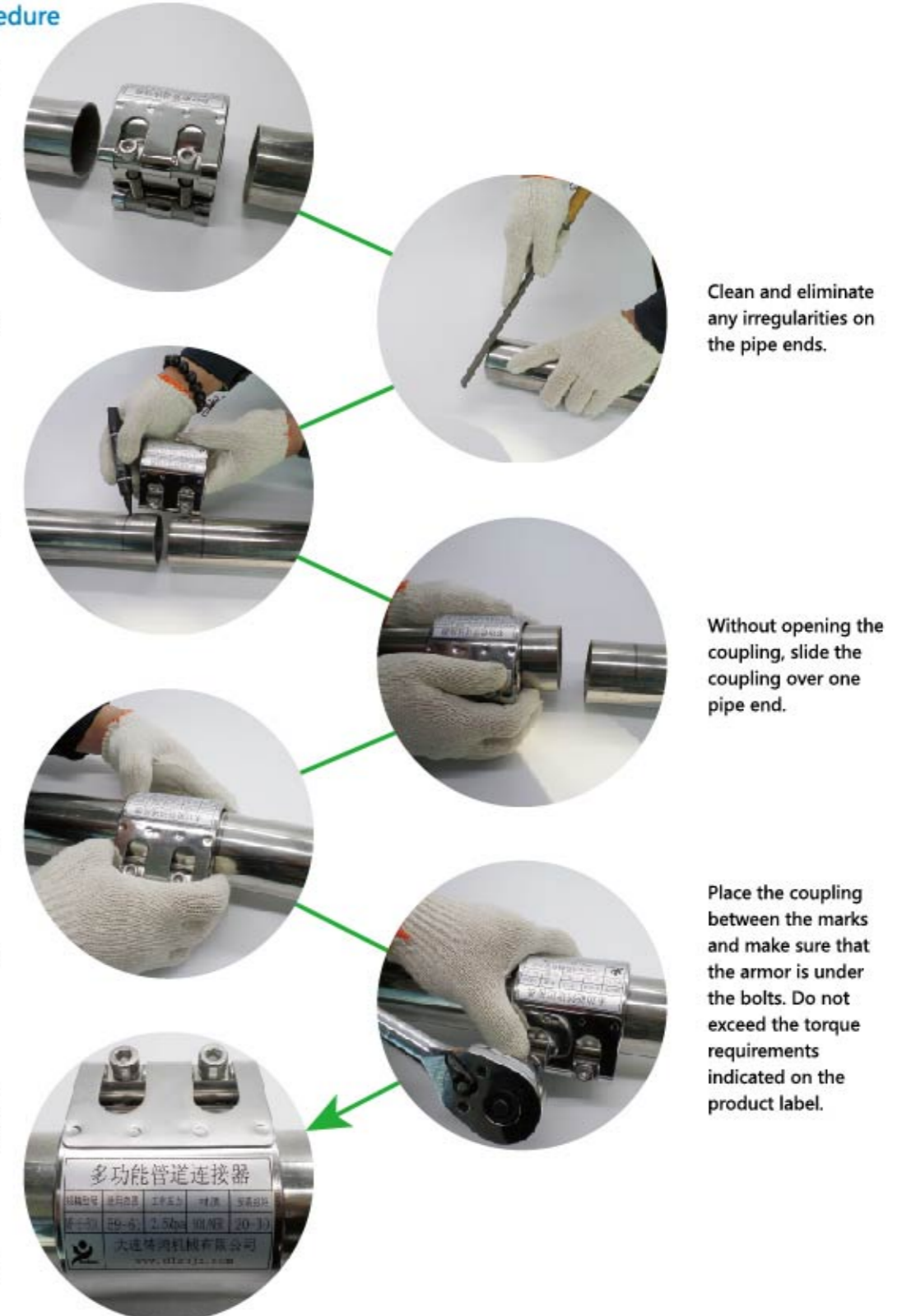
Installation Procedure

Get well-ready before installing. Check parts to ensure that no damage has occurred during transit and that no parts are missing. Check the diameter of the pipe and clamp specifications (on label) to ensure you have the proper clamp for your application.

On each pipe end, make a mark at a distance equal to half the width of the coupling.

Bring the other pipe end to a facing position. Make sure the pipes are aligned concentrically and that both pipe ends are correctly supported. See tolerances indicated on the label.

Tighten the bolts alternately and evenly to the required torque. If there are three bolts, start with the center bolt, and begin tightening. Do not rotate the coupling or the pipe during or end tightening.

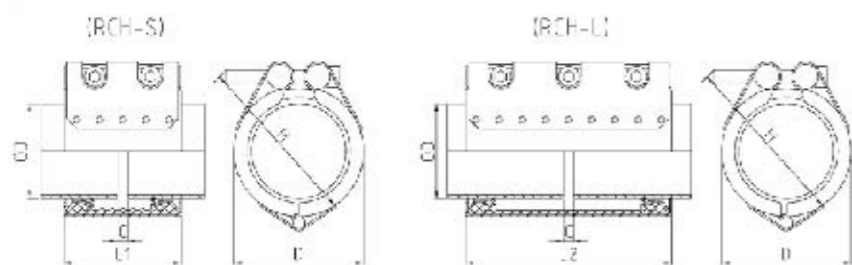


Clean and eliminate any irregularities on the pipe ends.

Without opening the coupling, slide the coupling over one pipe end.

Place the coupling between the marks and make sure that the armor is under the bolts. Do not exceed the torque requirements indicated on the product label.

Folding Type Pipe Repair Clamp RCH



Product Features

RCH Folding series is widely used on quick repairing of pipe leaks which can seal under pressure and no need of changing pipes. Help a lot on repairing pin holes and breaks caused by aging or rusting. Have advantages of safe, convenient and efficiency.

Engineering Projects



Installation Procedure



Technical Parameters

Pipe O.D.	O.D. Range	Working Pressure	Size					Bolt	Bolt Torque
			C (mm)	L1 (mm)	L2 (mm)	D (mm)	H (mm)		
18	17 — 19	32	5	57	—	35	55	6	10
21.7	21 — 23	32	5	57	—	45	65	6	10
25	24.5 — 25.5	32	5	57	—	50	70	6	10
27.2	26 — 28	32	5	57	—	50	70	6	10
32	31.5 — 32.5	32	5	57	—	55	75	6	10
34	33 — 35	32	5	57	—	55	75	6	10
40	39.5 — 41.5	32	5	57	—	55	75	6	10
42	42 — 44	32	5	57	100	65	85	6	15
44.5	44 — 45.1	32	5	57	100	65	85	6	15
48.6	47 — 49	32	5	57	100	70	90	6	15
54	53.6 — 54.6	32	5	57	100	70	90	8	30
57	56.3 — 57.7	32	5	57	100	80	100	8	30
60.3	59 — 62	32	5	80	139	85	105	8	30
63	62.2 — 63.9	32	5	80	139	85	105	8	30
76.1	75 — 78	28	5	80	139	100	120	8	30
79.9	78.8 — 80.8	28	5	80	139	100	120	8	30
88.9	88 — 92	28	5	107	203	110	130	10	50
108	106 — 110	28	5	107	203	130	150	10	50
110	108.9 — 111.2	28	5	107	203	130	150	10	50
114.3	112 — 116	28	5	107	203	135	155	10	50
118	116.6 — 119.2	28	5	107	203	140	160	10	50
125	123.6 — 126.5	28	5	107	203	150	185	10	50
133	131.5 — 134.4	28	5	107	203	160	190	10	50
140	137 — 143	28	5	116	203	165	195	12	80
159	157 — 161	24	5	116	203	185	215	12	80
165.2	163.3 — 166.7	24	5	116	203	190	210	12	80
168	166 — 170	24	5	116	203	195	225	12	80
170	168.2 — 171.9	24	5	116	203	195	225	12	80
200	198.2 — 201.5	16	10	155	255	240	270	14	100
219	217 — 221	16	10	155	255	250	280	14	100
250	250 — 254	16	10	155	255	285	315	14	100
273	271 — 275	16	10	155	255	305	335	14	100
315	313 — 317	14	10	155	255	340	375	14	100
325	323 — 327	14	10	155	255	355	385	14	100
355.6	354 — 358	14	10	155	255	385	420	14	100
377	375 — 379	14	10	155	255	410	440	14	100

Some sizes and lengths not listed are available upon request

Double-Section Pipe Repair Coupling RCD



Double-Section Short Clamp RCD-S Double-Section Long Clamp RCD-L

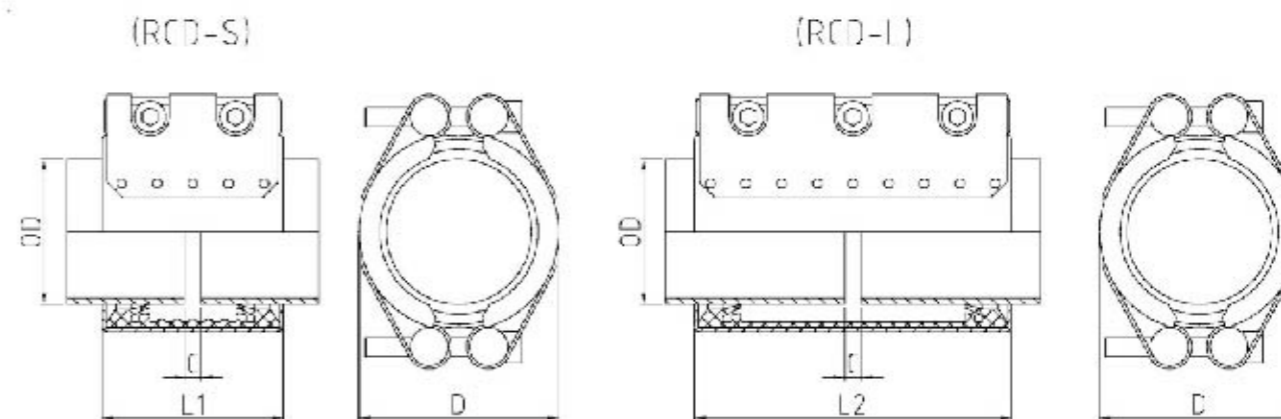
Product Features

Double-Section Pipe Repair Coupling RCD is mainly used on the connection of new pipelines, and also for the repairing of pipe leaks. Repairing the pin holds and breaks caused by aging or rusting. It has advantages of working under pressure and no need of changing pipes. Safe, convenient, efficiency and easy to work with. Performs well in mal-condition.

Engineering Projects



Installation Procedure



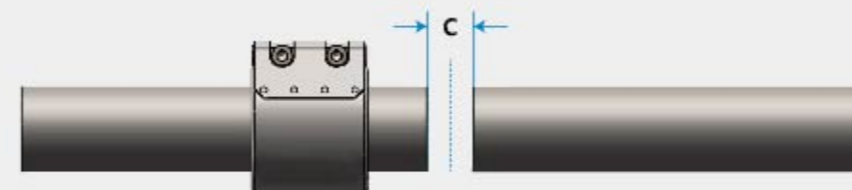
Technical Parameters

Pipe O.D.	O.D. Range	Working Pressure	Size				Bolt	Bolt Torque
			C (mm)	L1 (mm)	L2 (mm)	D (mm)		
42	42 — 44	32	10	57	100	65	6	15
44.5	44 — 45.1	32	10	57	100	65	6	15
48.6	47 — 49	32	10	57	100	70	6	15
54	53.6 — 54.6	32	10	57	100	70	8	30
57	56.3 — 57.7	32	10	57	100	80	8	30
60.3	59 — 62	32	10	80	139	85	8	30
63	62.2 — 63.9	32	10	80	139	85	8	30
76.1	75 — 78	28	10	80	139	100	8	30
79.9	78.8 — 80.8	28	10	80	139	100	8	30
88.9	88 — 92	28	10	107	203	110	10	30
108	106 — 110	28	10	107	203	130	10	50
110	108.9 — 111.2	28	10	107	203	130	10	50
114.3	112 — 116	28	10	107	203	135	10	50
118	116.6 — 119.2	28	10	107	203	140	10	50
125	123.6 — 126.5	28	10	107	203	150	10	50
133	131.5 — 134.4	28	10	107	203	160	10	50
140	137 — 143	28	10	116	203	165	12	50
159	157 — 161	24	10	116	203	185	12	80
165.2	163.3 — 166.7	24	10	116	203	190	12	80
168	166 — 170	24	10	116	203	195	12	80
170	168.2 — 171.9	24	10	116	203	195	12	80
200	198.2 — 201.5	16	15	155	255	240	14	80

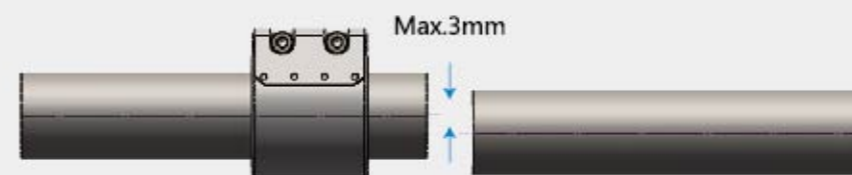
219	217 — 221	16	15	155	255	250	14	80
250	250 — 254	16	15	155	255	285	14	100
273	271 — 275	16	15	155	255	305	14	100
315	313 — 317	16	15	155	255	340	14	100
325	323 — 327	14	15	155	255	360	14	100
355.6	354 — 358	14	15	155	255	385	14	100
377	375 — 379	14	15	155	255	410	14	100
400	398 — 402	14	15	155	255	430	14	100
406	404 — 408	12	15	155	255	435	14	100
426	424 — 428	12	15	155	255	460	14	100
429	427 — 431	12	15	155	255	460	14	100
480	478 — 482	12	15	155	255	510	14	120
500	498 — 502	10	15	155	255	530	14	120
508	506 — 510	10	15	155	255	540	14	120
530	528 — 532	10	15	155	255	565	14	120
558.8	557 — 561	9	15	155	255	590	14	120
609.6	608 — 612	8	15	155	255	640	16	120
630	628 — 632	8	15	155	255	670	16	120
635	633 — 637	8	15	155	255	675	16	120
711.2	709 — 713	7	15	155	255	745	16	120
720	718 — 722	7	15	155	255	760	16	120
738	736 — 740	7	15	155	255	780	16	120
762	760 — 764	7	15	155	255	795	16	150
812.8	811 — 815	6	15	155	255	845	16	150
842	840 — 844	6	15	155	255	880	16	150
914.4	912 — 916	5	15	155	255	945	16	150
920	918 — 922	5	15	155	255	960	16	150
945	943 — 947	5	15	155	255	985	16	150
1016	1014 — 1018	4	15	155	255	1050	16	150
1020	1018 — 1022	4	15	155	255	1060	16	150
1048	1046 — 1050	4	15	155	255	1090	16	150
1117.6	1116 — 1120	4	15	155	255	1150	16	150
1120	1118 — 1122	4	15	155	255	1160	16	150
1152	1150 — 1154	4	15	155	255	1190	16	150
1219.2	1217 — 1221	3.5	15	155	255	1250	16	150
1226	1224 — 1228	3.5	15	155	255	1270	16	150
1255	1253 — 1257	3.5	15	155	255	1295	16	150
1320.8	1319 — 1323	3	15	155	255	1350	16	150
1422.4	1420 — 1424	3	15	155	255	1455	16	150
1462	1460 — 1464	3	15	155	255	1500	16	150

Some sizes and lengths not listed are available upon request

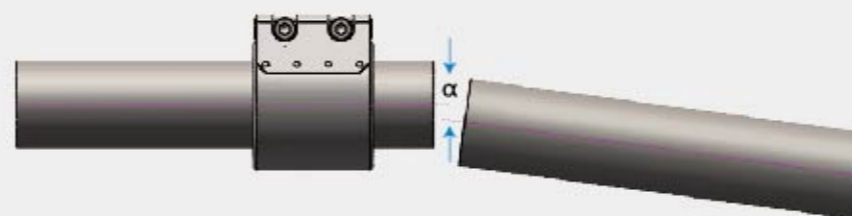
Installation Tolerance Sheet



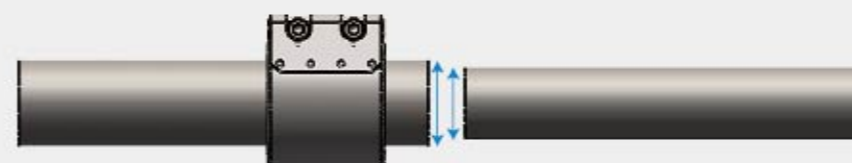
The Max gap distance between two pipe ends, other details see the technical parameters



Axis misalignment
 AD20mm–AD300mm ≤ 2%OD
 > AD300mm ≤ 5mm



Angle Deflect α
 AD20mm–AD60.3mm 5°
 Plastic Pipe 6°
 AD70mm–219.1mm 4°
 Plastic Pipe 5°
 > AD219.1mm 3°



Connection between reducers
 AD20mm–AD300mm ≤ 2%OD
 > AD300mm ≤ 6mm



Pipe O.D.	Axial Displacement Compensation Dosage
AD26.9mm–60.3mm	±5mm
AD70.0mm–114.3mm	±8mm
AD120mm–1600mm	±10mm
AD1600mm–4000mm	±15mm



Pipe connection with Ellipticity Deviation
 AD20mm–AD300mm ≤ 2%OD
 > AD300mm ≤ 5mm

Opening Type Pipe Repair Clamp RCE



Product Features

RCE series is the most widely used one, highly optimized for general use. Has few requirements on the ellipticity of pipe arc. Safe, convenient and efficient in installation.



Technical Parameters

Pipe O.D.	O.D. Range	Working Pressure	Size			Bolt	Bolt Torque
OD (mm)	ODmin — ODmax (mm)	WP (bar)	Lmin (mm)	D (mm)	H (mm)	M	Nm
18	17 — 19	16	55	35	55	6	10
21.7	21 — 23	16	55	45	65	6	10
25	24.5 — 25.5	16	55	50	70	6	10
27.2	26 — 28	16	55	50	70	6	10
32	31.5 — 32.5	16	55	55	75	6	10
34	33 — 35	16	55	55	75	6	10
40	39.5 — 41.5	16	55	55	75	6	10
42	42 — 44	16	55	65	85	6	15
44.5	44 — 45.1	16	55	65	85	6	15
48.6	47 — 49	16	55	70	90	6	15
54	53.6 — 54.6	16	55	70	90	8	30
57	56.3 — 57.7	16	55	80	100	8	30
60.3	59 — 62	16	55	85	105	8	30
63	62.2 — 63.9	16	55	85	105	8	30
76.1	75 — 78	16	55	100	120	8	30
79.9	78.8 — 80.8	16	55	100	120	8	30
88.9	88 — 92	16	55	110	130	10	50
108	106 — 110	16	55	130	150	10	50
110	108.9 — 111.2	16	55	130	150	10	50
114.3	112 — 116	16	55	135	155	10	50
118	116.6 — 119.2	16	55	140	160	10	50
125	123.6 — 126.5	16	55	150	185	10	50
133	131.5 — 134.4	16	55	160	190	10	80
140	137 — 143	16	55	165	195	12	80
159	157 — 161	16	55	185	215	12	80
165.2	163.3 — 166.7	16	55	190	210	12	80
168	166 — 170	16	55	195	225	12	80
170	168.2 — 171.9	16	55	195	225	12	100
200	198.2 — 201.5	16	55	240	270	14	100
219	217 — 221	16	55	250	280	14	100
250	250 — 254	10	55	285	315	14	100
273	271 — 275	10	55	305	335	14	100
315	313 — 317	10	55	340	375	14	100
325	323 — 327	10	55	355	385	14	100
355.6	354 — 358	10	55	385	420	14	100
377	375 — 379	10	55	155	440	14	100

Some sizes and lengths not listed are available upon request.

Band Repair Clamp



Stainless Steel Band Repair Clamp CR-1

Ductile Iron Band Repair Clamp ZR-1



Ductile Iron Band Repair Clamp ZR-2



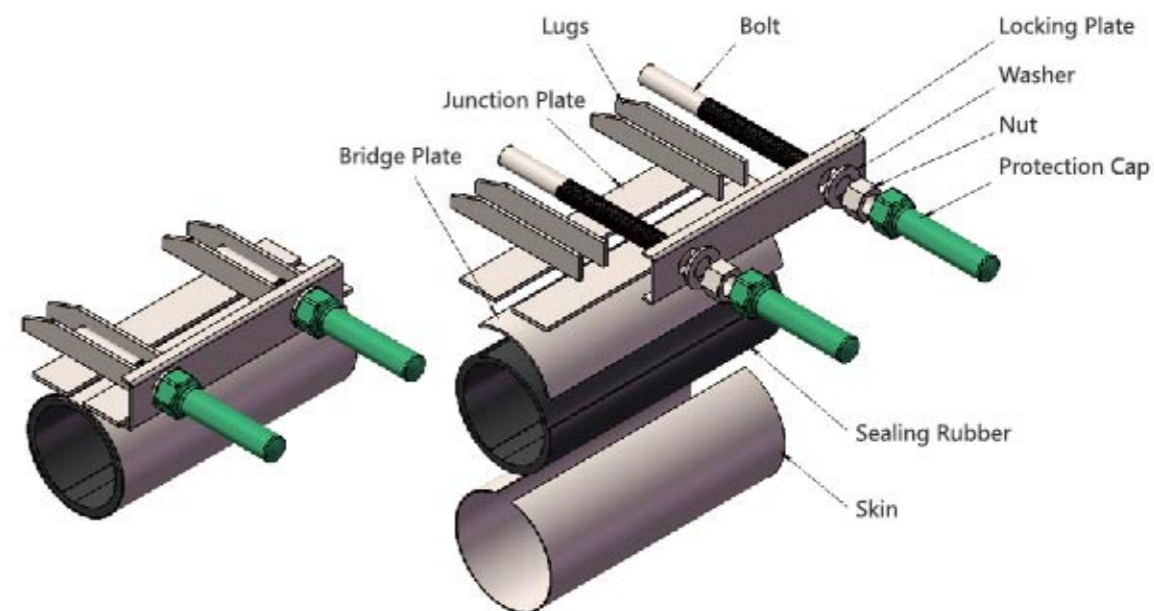
Stainless Steel Band Repair Clamp CR-2



Stainless Steel Band Repair Clamp CR-3

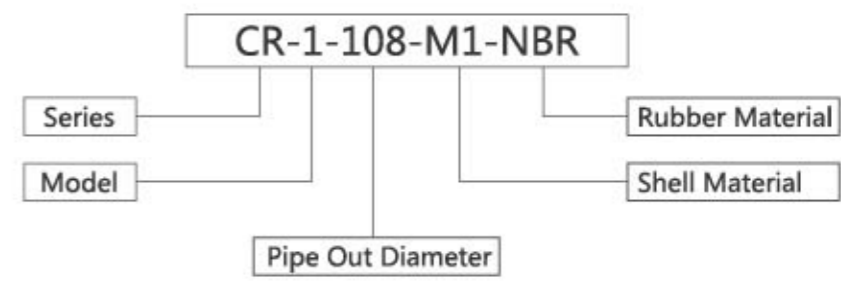


Stainless Steel Band Repair Clamp CR-4



Component/Material	M1	M2
Skin	304/304L	316/316L
Bridge Plate	304/304L	316/316L
Junction Plate	304/304L	316/316L
Lugs	304/304L	316/316L
Locking Plate	304/304L	316/316L
Bolt& Nut	304/304L	316/316L
EPDM(Ethylene Propylene Diene Monomer)Sealing Rubber	T:-20°C--+120°C	Medium : Available for water , waste water ,air, solid and chemicals
NBR(nitrile -butadiene rubber) Sealing Rubber	T:-20°C--+80°C	Medium : Available for water, gas, oil, fuel oil and other hydrocarbon.
SBR(styrene butadiene rubber) Sealing Rubber	T:-30°C--+100°C	Medium : Available for water, gas, oil, fuel oil and other hydrocarbon.

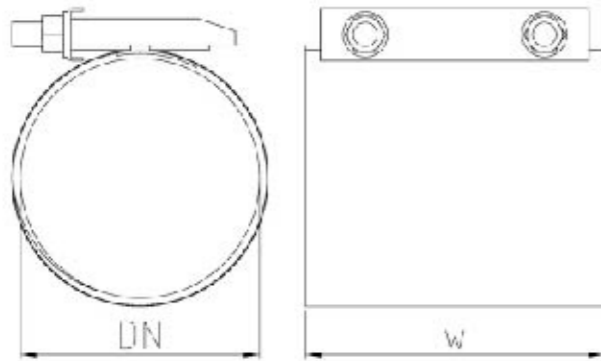
- Refer to AS 4181-2013
- Enterprise Standard Q/DZH 0001-2015
- Design and type selection :



Other sizes available upon request

Zhuhong Clamps DO NOT provide axial pipe restraint. Ensure both the clamp and pipe are axially restrained by external means

Stainless Steel Band Repair Clamp CR



Product Features

CR series is good at repairing pin holes and breaks caused by aging or rusting, which can seal under pressure and no need of changing pipes. Have advantages of safe, convenient and efficiency, can be installed without any other tools. It is highly optimized for general use and has few requirements on the ellipticity of pipe arc.

Engineering Projects



Installation Procedure



Step1 Preparation for the Repair Clamp Installation



Step2 Wrap the clamp around the pipe, take note to make the overlap of the rubber away from the leak point.



Step3 Assemble the clamp around the pipe by bringing the lock plate over the alignment lugs and hand tightening the nuts to hold it in place.



Step4 Use a tension wrench to sequentially tighten the studs to the recommended tension specified on the clamp.



Step5 Installation Finished.

Technical Parameters

O.D. Range (mm)	Working Pressure (bar)	O.D. Range (mm)	Working Pressure (bar)	O.D. Range (mm)	Working Pressure (bar)	O.D. Range (mm)	Working Pressure (bar)	Length (mm)
CR-1	PN	CR-2	PN	CR-3	PN	CR-4	PN	W
59-67	16							150-600
65-73	16							150-600
69-76	16							150-600
75-83	16							150-600
86-94	16	88-108	16					150-600
108-118	16	108-128	16					150-2000
113-121	16	113-133	16					150-2000
121-131	16	120-141	16					150-2000
126-136	16	168-188	16					150-2000
132-142	16	174-194	16					150-2000
145-155	16	219-239	16					150-2000
151-161	16	228-249	16					150-2000
159-170	16	238-258	16					150-2000
166-177	16	258-278	16					150-2000
170-180	16	273-293	16					150-2000
174-184	16	282-302	10					150-2000
179-189	16	295-315	10					150-2000
189-199	16	324-344	10					150-2000
218-228	16	335-356	10					150-2000
222-233	16	347-367	10					150-2000
229-239	16	357-376	10					150-2000
236-246	16	365-384	10					150-2000
248-258	16	383-402	10					150-2000
250-260	10	404-423	10					150-2000
252-263	10	421-440	10					150-2000
261-271	10	436-455	10					150-2000
271-281	10	453-472	10					150-2000
280-291	10	469-488	10					150-2000
288-298	10	488-507	10					150-2000
298-309	10	505-525	10					150-2000
300-310	10	526-545	8					150-2000
304-314	10	547-566	8					150-2000
321-331	10	562-581	8	630-660	8			150-2000
333-343	10	582-601	8	670-700	8			150-2000
340-351	10	630-650	8	720-750	8			150-2000
348-358	10	670-690	8	770-800	6			150-2000
356-366	10	720-740	8	820-850	6			150-2000
				870-900	6			150-2000
				920-950	6	920-960	6	150-2000
						1020-1060	6	150-2000
						1070-1110	6	150-2000
						1120-1160	6	150-2000
						1220-1260	6	150-2000

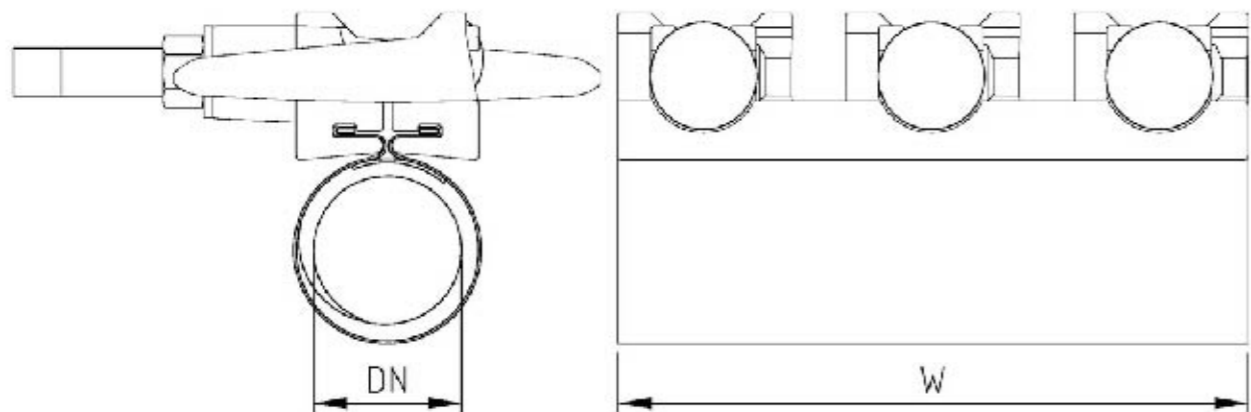
Some sizes and lengths not listed are available upon request.

Ductile Iron Band Repair Clamp ZR



Product Features

Be used on repairing different kinds of pipelines like Cast Iron, Ductile Iron, Steel, Asbestos Cement, Copper, Aluminum, PVC, HDPE, Fiberglass and other pipe types. It can provide a quick and economic way in repairing Longitudinal, holes and breaks.



Engineering Projects

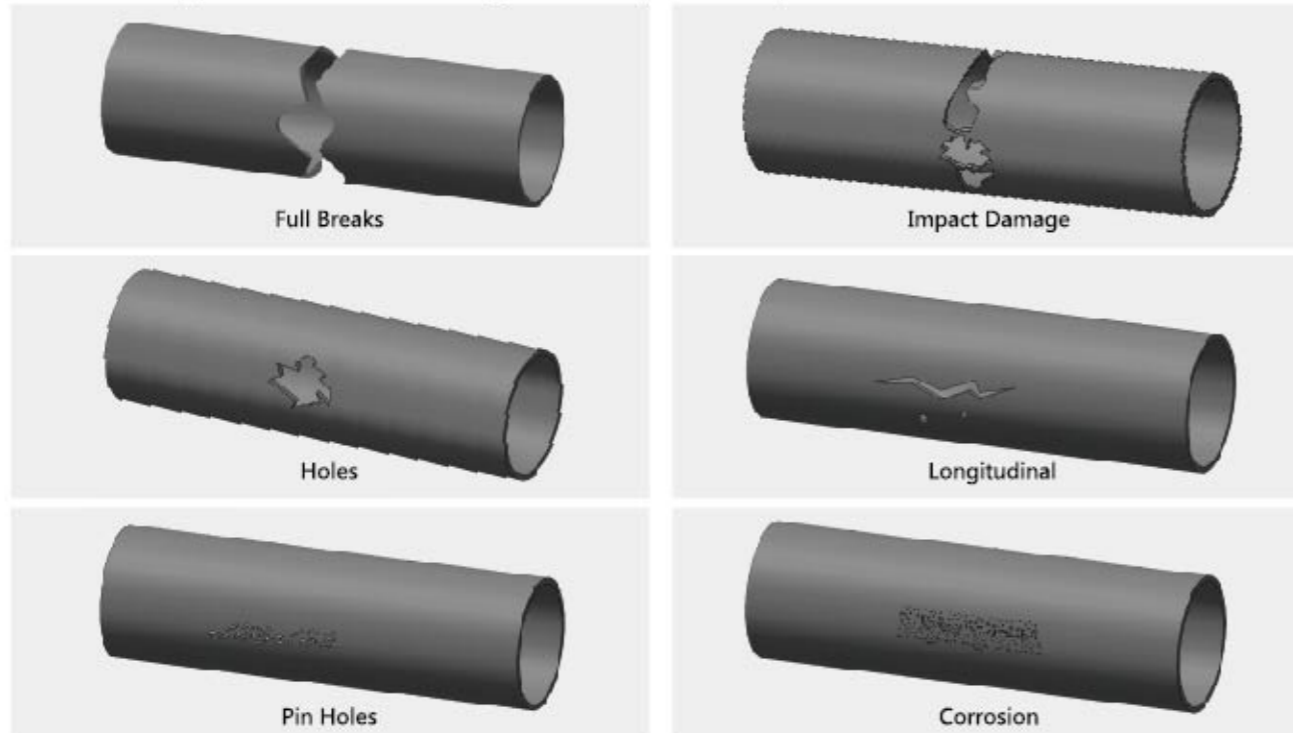


Technical Parameters

O.D Range (mm)	Working Pressure bar	O.D Range (mm)	Working Pressure bar	O.D Range (mm)	Working Pressure bar	O.D Range (mm)	Working Pressure bar	Length (mm)
ZR-1	PN	ZR-2	PN	ZR-3	PN	ZR-4	PN	W
59-67	16							150-600
65-73	16							150-600
69-76	16							150-600
75-83	16							150-600
86-94	16	88-108	16					150-600
108-118	16	108-128	16					150-2000
113-121	16	113-133	16					150-2000
121-131	16	120-141	16					150-2000
126-136	16	168-188	16					150-2000
132-142	16	174-194	16					150-2000
145-155	16	219-239	16					150-2000
151-161	16	228-249	16					150-2000
159-170	16	238-258	16					150-2000
166-177	16	258-278	16					150-2000
170-180	16	273-293	16					150-2000
174-184	16	282-302	10					150-2000
179-189	16	295-315	10					150-2000
189-199	16	324-344	10					150-2000
218-228	16	335-356	10					150-2000
222-233	16	347-367	10					150-2000
229-239	16	357-376	10					150-2000
236-246	16	365-384	10					150-2000
248-258	16	383-402	10					150-2000
250-260	10	404-423	10					150-2000
252-263	10	421-440	10					150-2000
261-271	10	436-455	10					150-2000
271-281	10	453-472	10					150-2000
280-291	10	469-488	10					150-2000
288-298	10	488-507	10					150-2000
298-309	10	505-525	10					150-2000
300-310	10	526-545	8					150-2000
304-314	10	547-566	8					150-2000
321-331	10	562-581	8	630-660	8			150-2000
333-343	10	582-601	8	670-700	8			150-2000
340-351	10	630-650	8	720-750	8			150-2000
348-358	10	670-690	8	770-800	6			150-2000
356-366	10	720-740	8	820-850	6			150-2000
				870-900	6			150-2000
				920-950	6	920-960	6	150-2000
						1020-1060	6	150-2000
						1070-1110	6	150-2000
						1120-1160	6	150-2000
						1220-1260	6	150-2000

Some sizes and lengths not listed are available upon request.

The Wide Application of Zhuhong Band Repair Clamp



Repair Clamps Installation Guide

How to Choose a Repair Clamp

Confirm the pipe O.D and leak point of which you want to repair. Choose the a right Clamp type(single or double band, the width or the length, etc.).Choose the right size belong to the pipe O.D. you are going to repair. E.g. When Pipe O.D. $\leq 300\text{mm}$, the clamp you choose should be at least 80mm wider away from the leak point. When Pipe O.D. $> 300\text{mm}$, the length should be at least 100mm wider for covering the leak point.

Knacks in Installation

1. Clean the pipe surface, making it as clean and free of soil, mud and scale as possible in order to enable the clamp gasket to successfully seal against the pipe surface
2. Hold the clamp against the pipe and draw left and right clamp end locator marks on the pipe
3. Use water or suds to lubricate the pipe in order to make the sealing ring easier to install.
4. Clean and lubricate the bolt can lower the friction then make it easier for tightening the bolt and nut.
5. Keep a stable water pressure in the pipe to prevent sundries.
6. When the pipe is lubricate well, it will be easier to wrap the clamp around the pipe.
7. Rise up the water level over the pipe can effectively control the water spray which will help a quick installation.
8. Tighten the middle nut can help to control the water spray, then sequentially tighten the other bolts.
9. Drill a hole on both end of the pipe can help to reduce the pressure and prevent enlarging the leak point.

Urgent Repair for Large Pipelines

Once urgent repair needed to be done on large pipes, assemble some small range clamps to one several band repair clamp.

1. Make sure of the exact pipe O.D, which needed to be repaired.
2. Choose two or three small range clamps, make sure the sum of their range is equal to the O.D. of the pipe which you want to repair.
E.g. When repairing a DN500 DI pipe, O.D. 510mm, choose three DN150 clamps which range is 159-170 to make them be the right size for this DN500.
3. The small clamps you use to assemble to a big one is not necessary to be the same size, but it would be better to be the same.

Recommended

When connecting two pipes which have a gap $\geq 25\text{mm}$, a short pipe or a thin sheetmetal is needed to be used to help filling the gap in order to support the sealing ring.

159-170
+12 +12
159-170
+12 +12
159-170
501-534

Multi-Function Tee Products



Multi-Function Tee Products



Product Features

Multi-Function Tee products are economical and handy fittings which can solve different connecting and repairing problems. The branch of this product can help users easy to operate and solve many problems like instrument installation, sample drawn and pipe connecting. This series is widely used on the diversion of gas/oil/water supply and drain pipelines, without removing the pipe and also can be installed under pressure. The reducing part can be female/male thread, flange , etc.

Helpful Hints

Due to the different pipe material and working condition you have, it should be better to advise us the pipe O.D., the size and type of the diverging reducing tee when you make the purchase.

Engineering Projects



Technical Parameters

Pipe O.D.	O.D. Range	Working Pressure	Length				
			300	400	500	600	1000
DN (mm)	Min - Max (mm)	bar					
80	88-110	16	DN80-PN10/16	DN80-PN10/16	DN80-PN10/16	DN80-PN10/16	
100	108-128	16	DN100-PN10/16	DN100-PN10/16	DN100-PN10/16	DN100-PN10/16	
100	114-134	16	DN100-PN10/16	DN100-PN10/16	DN100-PN10/16	DN100-PN10/16	
125	133-155	16	DN125-PN10/16	DN125-PN10/16	DN125-PN10/16	DN125-PN10/16	
150	158-180	16	DN150-PN10/16	DN150-PN10/16	DN150-PN10/16	DN150-PN10/16	
150	190-210	16	DN150-PN10/16	DN150-PN10/16	DN150-PN10/16	DN150-PN10/16	
150	195-217	16	DN150-PN10/16	DN150-PN10/16	DN150-PN10/16	DN150-PN10/16	
200	200-222	16	DN150-PN10/16	DN200-PN10/16	DN200-PN10/16	DN200-PN10/16	
200	216-238	16	DN150-PN10/16	DN200-PN10/16	DN200-PN10/16	DN200-PN10/16	
225	240-260	10	DN150-PN10/16	DN200-PN10/16	DN200-PN10/16	DN200-PN10/16	
225	250-274	10	DN150-PN10/16	DN200-PN10/16	DN200-PN10/16	DN200-PN10/16	
300	314-334	10	DN150-PN10/16	DN200-PN10/16	DN250-PN10/16	DN250-PN10/16	DN300-PN10/16
350	350-368	10		DN200-PN10/16	DN300-PN10/16	DN300-PN10/16	DN350-PN10/16
350	360-380	10		DN200-PN10/16	DN300-PN10/16	DN300-PN10/16	DN350-PN10/16
400	404-424	10		DN200-PN10/16	DN300-PN10/16	DN300-PN10/16	DN400-PN10/16
400	414-434	10		DN200-PN10/16	DN300-PN10/16	DN300-PN10/16	DN400-PN10/16
450	435-455	10			DN300-PN10/16	DN300-PN10/16	DN400-PN10/16
450	468-488	10			DN300-PN10/16	DN300-PN10/16	DN400-PN10/16
500	514-534	10			DN300-PN10/16	DN300-PN10/16	DN450-PN10/16
500	545-575	10			DN300-PN10/16	DN300-PN10/16	DN450-PN10/16
600	608-638	6				DN300-PN10/16	DN500-PN10/16
700	708-738	6				DN300-PN10/16	DN500-PN10/16
700	728-758	6				DN300-PN10/16	DN500-PN10/16
750	748-778	6				DN300-PN10/16	DN600-PN10/16
750	768-798	6				DN300-PN10/16	DN600-PN10/16
800	813-843	6					DN600-PN10/16
900	914-946	4					DN600-PN10/16
1000	1016-1048	4					DN600-PN10/16
1100	1118-1158	4					DN600-PN10/16
1200	1219-1269	4					DN600-PN10/16
1400	1420-1462	4					DN600-PN10/16

DN is the largest O.D. of Diverging part Zhuhong recommended, PN10/16 is the Flange standard pressure; Other sizes available upon request.

Mini-Type Pipe Repair Clamp



SS Semi-Circle
Pipe Repair Clamp
SS-H



SS Full-Circle
Pipe Repair
Clamp SS-F



SS Full-Circle Pipe
Repair Clamp
SJW-F



SS Full-Circle
Pipe Repair
Clamp SJW-F1



Zhu Hong Mechanical

Mini-Type Pipe Repair Clamp



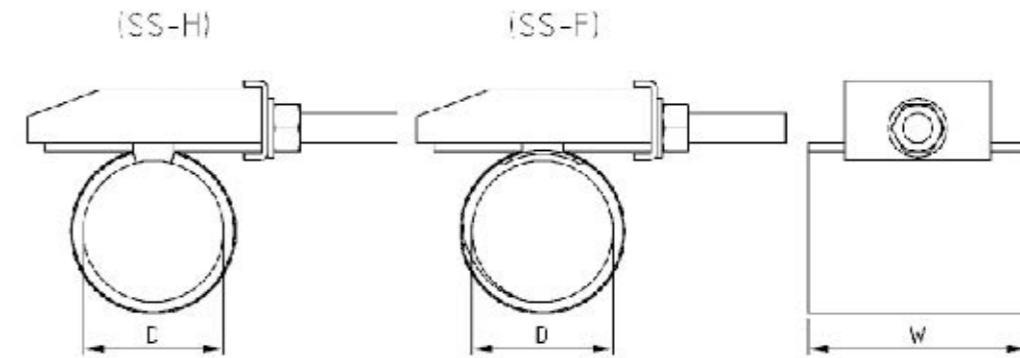
SS Semi-Circle Pipe Repair Clamp SS-H



SS Full-Circle Pipe Repair Clamp SS-F

Product Features

Mini-Type is applied on quick repairing of the small leakage on oil/gas/water supply or drain pipe. It can be used under pressure, has advantages of handiness, safe, small volume, easy to use and fire-free



Technical Parameters

Diameter Range Min - Max (mm)	Working Pressure PN bar	Length W (mm)	Specifications M	Bolts	
				Length L	Torque Nm
21 - 25	16	75/150/300	10	90	80
26 - 30	16	75/150/300	10	90	80
29 - 33	16	75/150/300	10	90	80
33 - 37	16	75/150/300	10	90	80
42 - 45	16	75/150/300	10	90	80
44 - 48	16	75/150/300	10	90	80
48 - 51	16	75/150/300	10	90	80
50 - 54	16	75/150/300	10	90	80
55 - 60	16	75/150/300	10	90	80
60 - 64	16	75/150/300	10	90	80
65 - 69	16	75/150/300	10	90	80

Some sizes and lengths not listed are available upon request.



SS Full-Circle Pipe Repair Clamp SJW-F

Semi-Circle Mini-type Pipe Repair Clamp SJW-H

Product Features

SJW series is applied on quick repairing of the small leakage on oil/gas/water supply or drain pipe which has advantages of handiness, small volume, easy to use, safe and fire-free, and also can be used under pressure

Technical Parameters

O.D. Range	Working Pressure	Length	Bolts		
Min - Max (mm)	PN bar	W (mm)	Specifications M	Length L	Torque Nm
21 - 25	16	75/150/300	10	75	50
26 - 30	16	75/150/300	10	75	50
29 - 33	16	75/150/300	10	75	50
33 - 37	16	75/150/300	10	75	50
42 - 45	16	75/150/300	10	75	50
44 - 48	16	75/150/300	10	75	50
48 - 51	16	75/150/300	10	75	50
50 - 54	16	75/150/300	10	75	50
55 - 60	16	75/150/300	10	75	50
60 - 64	16	75/150/300	10	75	50
65 - 69	16	75/150/300	10	75	50
69 - 73	16	75/150/300	10	100	50
71 - 76	16	75/150/300	10	100	50
78 - 82	16	75/150/300	10	100	50
82 - 87	16	75/150/300	10	100	50
87 - 93	16	75/150/300	10	100	50
94 - 100	16	75/150/300	10	100	50
99 - 104	16	75/150/300	10	100	50
105-111	16	75/150/300	10	100	50
112-117	16	75/150/300	10	100	50
120-126	16	75/150/300	10	100	50
126-131	16	75/150/300	10	100	50

Some sizes and lengths not listed are available upon request.

Engineering Projects



Flexible Multi-Function Pipe Coupling ZFJ



Ductile Iron Flexible Pipe Coupling ZFJ-T

Flexible Pipe Coupling ZFJ

Product Features

Zhuhong ZFJ series has an excellent advantage on its wide range of application; it can connect two pipes with a 24mm O.D. difference.

The SS barrel and DI end cap of ZFJ do well in corrosion prevention and stretch resistance, it can fit all the load density no matter in the installation or in the use.

ZFJ series offer safe and quick installation, no need of disassembled any part. Suit for irregular and deformation pipes (with a deviation of 3°),it works well even if the pipe is swelled, shrunk or moved.

The coating of end cap compliance with the standard NSF61, durable, resistant to corrosion, wide applicable temperature range and less abrasion.

- More economic than mechanical splice
- Good corrosion resistance can be compared with DI pipe.
- Less inventory pressure
- Save space
- Flexible. Suit for nearly all the DI, asbestos cement and other kinds of pipes in rated sizes

Technical Parameters

O.D. Range	Diameter Range		Length	Bolts	Working Pressure
	mm	Min Max			
DN80S	88	103	210	3 - M16	1.6
DN80L	88	103	270	3 - M16	1.6
DN100S	108	132	220	3 - M16	1.6
DN100L	108	132	270	3 - M16	1.6
DN150S	158	182	275	3 - M16	1.6
DN150L	158	182	320	3 - M16	1.6
DN200	214	238	290	5 - M16	1.6
DN225	242	269	290	5 - M16	1.6
DN250	270	295	290	6 - M16	1.6
DN300A	310	334	340	6 - M16	1.6
DN300B	330	356	340	6 - M16	1.6
DN375	400	429	340	8 - M16	1.6
DN450	488	512	340	10 - M16	1.6
DN500	540	565	340	12 - M16	1.6
DN600	656	680	340	14 M16	1.6

Some sizes and lengths not listed are available upon request.



SS Barrel: is constructed from 100% SS304/316, with carbon steel epoxy coating, a smooth conical design make it ideal for sealing.

Gasket: EPDM and NBR do well in store and water proof. Resist acid, alkali, most liquid hydrocarbon (aliphatics) and any other chemical substance.

End Cap: High-strength ductile iron and epoxy resin coating. Other coating can be done upon your request.

Bolt&Nut: SS 304/316, galvanized carbon steel, nut with galvanization or Teflon.

Other special sizes, please check with us.

Coupling CBL



Product Features

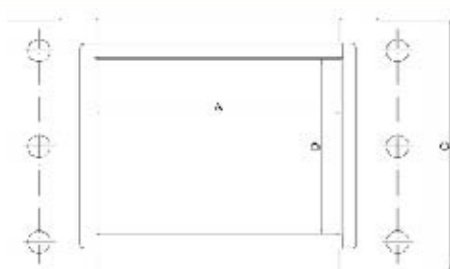
Couplings an economic product designed for low pressure dust pipes. Be different from normal pipe couplings, it is professional in dust pipes which is constructed from galvanized steel and has a SUS301 conductive sheet inside. CBL is more economic and widely used overseas. The size now we can provide is from DN40 to DN300, the length is 100/150/200mm, working pressure 5-10 bar.

High Pressure Repair Clamp HRC



Technical Parameters

Pipe Size mm	Inside Size mm	Inside Length mm	total length mm	Working pressure PN bar
38	73	139	228	140
50	79	146	228	140
63	85	133	215	140
76	101	133	215	140
101	127	133	215	140
152	180	133	228	140
203	231	133	254	140
254	285	139	266	140
304	336	139	266	100
355	368	203	355	100
406	419	203	355	100
457	469	203	355	100
508	520	203	355	64
558	571	203	355	64
609	622	203	355	64
660	673	203	355	64
711	723	203	355	64
762	774	203	355	64
812	825	203	355	64
863	876	203	355	64
914	927	203	361	64
965	977	203	361	64
1016	1028	203	361	64
1066	1079	203	403	64
1219	1231	203	406	64



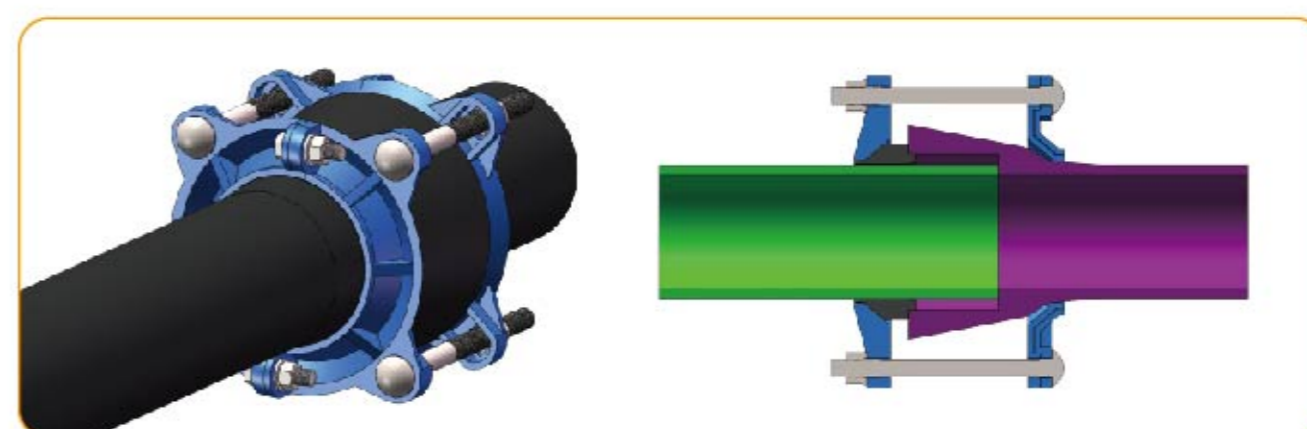
Product Features

High Pressure Pipe Repair Clamp is designed for the repair of high pressure pipe. The standard working pressure is 64 bar while actual working pressure could reach 100 bar or 140 bar. It also can be made according to other special requirements. All the HRC Clamps are tested under 1.5 times than design working pressure. The standard material of sealing rubber ring is EPDM and NBR. Other like Fluorine rubber, and Silica gel are also available.

Some sizes and lengths not listed are available upon request.

Some sizes and lengths not listed are available upon request.

Socket Pipe Repair Clamp CCR



Product Features

Zhuhong Socket Repair Clamp is specially designed for socket part of potable water pipelines... Put the clamp socket end to the pipe socket end, clamp insert end to the pipe insert end and swallowtail sealing gasket to the pipe socket end. When connecting the two ends of pipe socket and insert, please adjust the clamp to a proper position and push the swallowtail sealing gasket with the adjusting and fixing devices. In this way, the sealing performance will be done successfully.

- Applied to different class and brands cast iron/ductile iron pipelines of diameter ≤ 945 mm
- Use less components to make fast and convenient installation
- Without other special tools, only a wrench will help to operate the installation process.
- Available for leakage repairing on no-stop pressured pipeline.

Technical Parameters

Normal Diameter DN mm	O.D. Range mm	Bolt Qty	Bolt Size mm	Working Pressure PN	Weight
				bar	Kg
75	93-95	4	16×178	16	6.7
100	118-120	4	16×229	16	8.3
150	169-170	4	16×229	16	10.2
200	220-222	4	16×229	16	13.9
250	272-274	6	16×267	16	15.7
300	322-326	6	16×267	16	20.2
350	374-378	6	16×267	10	25.4
400	425-429	9	16×330	10	33.2
450	477-480	12	16×330	10	37.8
500	528-832	12	16×330	10	50.5
600	631-635	12	16×330	10	55.7
700	733-738	12	16×330	10	106.5
800	836-842	12	16×330	10	120.9
900	939-945	12	16×330	10	132.7

Some sizes and lengths not listed are available upon request.

Lengthen Type Repair Clamp CRL



Product Features

CRL is an innovative product based on the CR series. Normally, repair clamps should be customized according to the actual working condition. But when an urgent repairing is needed, it is impractical to make a clamp at once, and then the repairing time would be delayed. Other than normal repair clamp has a limit in the leakage size and length, this CRL has a structured lapping grid which can be assembled to one large clamp when repairing a large leakage.

CRL use the same technical parameters as CR series

Wide-Range Strip Repair Clamp CRK



Product Features

CRK designed for repair unilateral leakage on the straight pipe. Cover the shortage of range limit, inventory pressure that normal clamps have. CRK can be used together with DRL, have the advantages of less stock, quick repairing, and easy installation.

Technical Parameters

O.D.Range mm	Width mm	Effective Repair Range mm
108-159	200	100×150
159-273	300	210×220
219-377	300	370×200
325-478	400	560×300
426-830	500	1000×400

Some sizes and lengths not listed are available upon request.

Compressed Air Pipeline Quick Connector JOS



Product Features

JOS is constructed from magnesium alloy, has the advantages of corrosion and mechanical shock resistance. The low resistance and non-gap joining technique make the pressure loss be low. Low pressure loss and large liquid transport make the low resistance transmission be possible. JOS helps pipeline expansion become easier that the new lines can be added into the original system without any change. This JOS is also economic as it can be reuse. Leak proof and anti-drop structure design do better in sealing and locking.

Flow Rate Cbm/Hour	Diameter DN	50M	100M	150M	300M	500M	750M	1000M	1300M	1500M	2000M
10	DN20										
30											
50											
70	DN25										
100											
150											
250	DN32										
350											
500											
750	DN40										
1000											
1250											
1500	DN50										
1750											
2000											
2500	DN63										
3000											
3500											
4000	DN90										
4500											
5000											
5500	DN110										
6000											
6500											
7200	DN160										

Some sizes and lengths not listed are available upon request.



Technical Parameters

Diameter	Gas	Water	Fire Control	Fire Control	High Pressure Air	High Pressure Oil	High Pressure Water
Maximum Working Pressure	16 bar	16 bar	16 bar	-0.87 bar	70 bar	70 bar	200 bar
20°C 1hour Normal Pressure Test	24 bar	24 bar	24 bar	24 bar	105 bar	105 bar	300 bar
20°C 1hour Ultimate Pressure Test	64 bar	64 bar	64 bar	64 bar	280 bar	280 bar	400 bar
Sampling Fraction	1%	1%	1%	1%	100%	100%	100%
Designed Continuous Operating Temperature Limit	-20°C/100°C	-20°C/100°C	-20°C/100°C	-20°C/100°C	-20°C/100°C	-20°C/100°C	-20°C/100°C
Continuous Operating Temperature Limit Test	-20°C/100°C	-50°C/150°C	-50°C/150°C	-20°C/100°C	-20°C/100°C	-20°C/100°C	-50°C/150°C
Pipe Material	Aluminium Alloy, Meet AW 6061-TS						
Mechanical Strength	Meet International Standard GB19228.1-2011、GB/T4437.1-2000						
Pipe Fitting Material	Aluminium Alloy, Meet EN AW 6061-T6-EN AB 42000						
Nuts Material	Aluminium Alloy, Meet EN AW 6061-T5						
Rubber Sealing Ring Material	NBR 75 S.A.	EPDM 75 S.A.	EPDM 75 S.A.	NBR 75 S.A.	NBR 75 S.A.	NBR 75 S.A.	EPDM 75 S.A.
Locking Ring Material	stainless steel AISI304						
Coating Color	RAL5012	RAL6018	RAL3000	RAL7046	RAL5017	RAL8007	RAL6032

Compensation Repair Clamp BCR



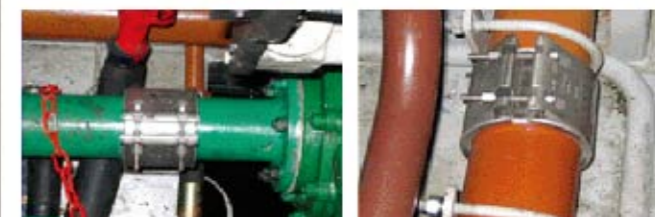
Product Features

Zhuhong Compensation Repair Clamp is specially designed for buried corrugated compensator for heat transmission pipelines. All sizes of repair clamps for buried corrugated compensator can be designed and customized accordingly. Other types of BCR can also be customized, has advantages of easy installation and long service life.

Application of Couplings



The Multi-Function Pipe Couplings were used on the Bangchuidao Cargo Ship made in Holland to simplify the installation process and save the cost and time in the meantime.



The medium of the pipe system in the diesel locomotive are 95 °C water and 85°C oil. In the continuous vibration and oscillation environment, the Multi-Function Pipe Coupling will work well and save much time and cost in installation.



In Beijing Ninth Water Company, Multi-Function Pipe Coupling is used to connect different pipe materials between DN200 steel pipe and non-metal pipe in a time and cost saving way.



Fast connection of DN250 stainless steel pipe with Zhuhong Multi-Function Pipe Coupling shortens the construction project control of time.

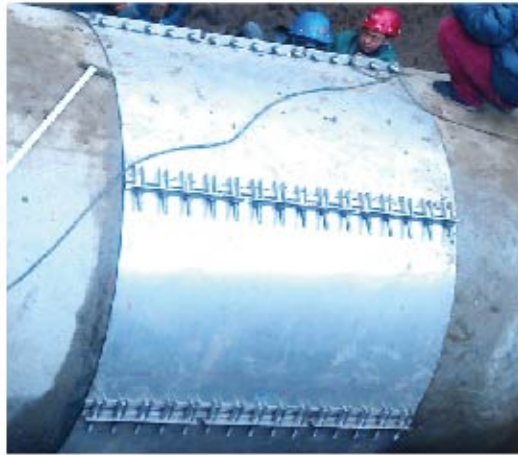


Guangzhou Jingxi Wastewater Treatment System adopts plenty of Zhuhong Pipe Coupling to reduce the construction time and maintenance cost.



Zhuhong Pipe couplings apply to the ultrafiltration membrane pipeline construction project with high performance in installation and maintenance.

Repair Construction Instance



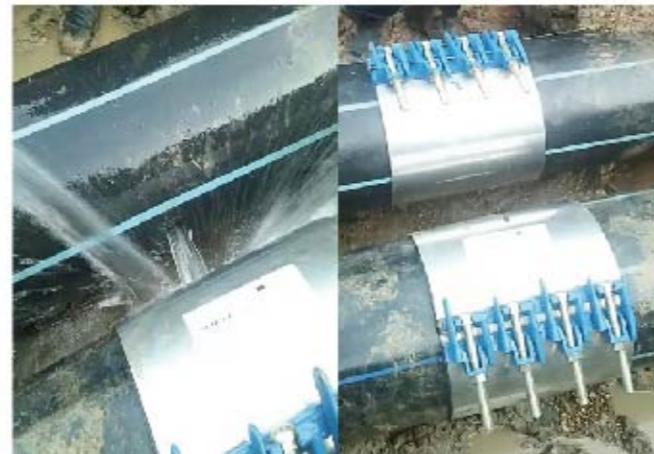
It takes only 3 hours to successfully repair the DN2300 cement pipe with the Band Repair Clamp of Zhuhong.



To repair the DN1200 GRP pipe of Hunnan Water Corporation conventionally, they have to stop the water pipe for more than 36 hours. However, using the Repair Clamp of Zhuhong instead just make it within 2 hours.



Within 3 minutes, under pressure leakage repairing has done successfully on the DN450 water supply pipeline in Puyang Oilfield.



Russian customer use our Repair Clamp of Zhuhong to finish a very fast repairing for the PE pipe of DN300 in water supply.



5. For the severely corrosive DN50 water supply pipe of Dalian Insulator Group, Zhuhong Repair Clamp repairs the leakage in very short time.



6. Zhuhong Lengthen Type Repair Clamp is used for fast repairing of long leakage of DN900 ductile iron pipeline of Jinan Water Group.



To solve the leakage of DN400 gas pipeline in Shanxi Huarun Gas Company, Zhuhong RCD Double-Section Repair Clamp performs quite excellent in fast repairing.



RCD Double-Section also works smoothly to stop leaking between the gap of two oil tanks in Shengling Oilfield.



The welding joints of the siphon drainage pipeline break off. For secondary production, they adopt Zhuhong Repair Clamp.



RCD Double-Section Short Clamps successfully connect the DN500 ductile iron pipeline buried in the ground.



Shanxi Thermo-Power Corporation uses our DN500 Repair Clamp for their emergency repair of heating pipeline.



RCD Double-Section Repair Clamps apply to the DN1200 cement pipe.

Coupling Application Projects



To meet customer's special requirement, Zhuhong and Shanxi Yuncheng Thermo-Power work together on the experiment of Compensation Repair Clamp.



For the leakage of 20° degree elbow of DN450 heating pipe, Zhuhong Elbow Repair Clamps overcome this technical difficulty just in 10 minutes.



Within 10 minutes, Zhuhong Elbow Repair Clamps have been used to repair the 90° degree elbow of DN150 steel pipe.



Zhuhong Tee Clamp functions very well on the tee part of DN40 pipelines in the High Railway Station.



For DN150 pipe with DN20 branch, Daqing Oilfield adopts Zhuhong Multi-Function Tee Clamp to install with hoisting and sealing on nonstop pressured pipeline.



To Repair the socket part of DN1200 cement pipe burst in Hunan Water Group, they use Zhuhong Customized Non-Standard Socket Pipe Repair Clamp efficiently.

Pipe O.D. Reference Table

DN	Steel Pipe		O.D.		
	Series A	Series B	DI Pipe	PVC DIN Standard	PE Pipe
15	21.3	18		20	
20	26.9	25		25	
25	33.7	32		32	25
32	42.4	38		40	32
40	48.3	45		50	40
50	60.3	57		63	50/63
65	76.1	76		75	75
80	88.9	89	98	90	90
100	114.3	108	118	110	110
125	139.7	133	144	140	125/140
150	168.3	159	170	160	160/180
200	219.1	219	222	200	200/225
250	273	273	274	250	250/280
300	323.9	325	326	315	315
350	355.6	377	378	355	355
400	406.4	426	429	400	400
450	457	478	480		450
500	508	529	532		500
600	610	63	635		630
650	660				
700	711	720	738		
750	762				
800	813	820	842		
850	864				
900	914	920	945		
1000	1016	1020	1048		
1050	1067				
1100	1118	1120	1152		
1200	1219	1220	1255		
1400	1420		1462		

Note: Above O.D. parameters are for Chinese common standard, actual data should be confirmed with customers.